

Soosan crane auger

- Multifunctional equipment for carrying, installing or removal of utility poles, electric and telecommunication facilities.
- Foundation work and material handling for general construction, civil engineering, public utilities etc.
- Combination of crane and powerful auger.
- High efficient spur reduction gear.
- Powerful, high-speed winch.
- Pentagonal 3-stage, high tensile steel boom.
- Easy to operate.

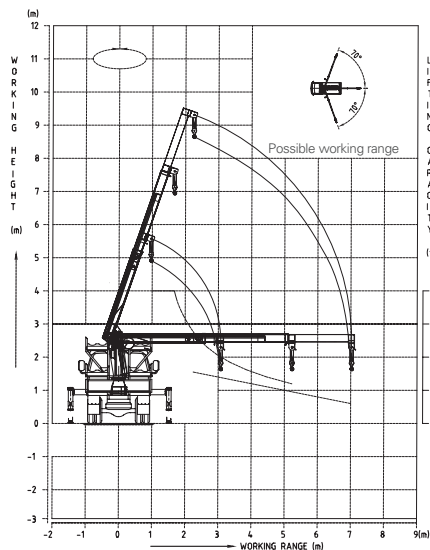


Model

SAC 2501

Applicable truck chassis (payload)	ton	3.5 ton and above
Digging diameter	mm	350
Drilling depth	m	1.3 (Max 2.6 with built-in extension shaft)
Auger torque	Kg.m	300
Max lifting capacity	-	2.1 ton at 1.5m
Max working radius	m	7
Max working height	m	9.5
Rated flow	ℓ /min	37
Rated pressure	bar	200
Boom		
Cross section profile		Square
Number of boom stage		3
Slewing		360° continuous

SCREW WORKING RANGE



CRANE WORKING RANGE

